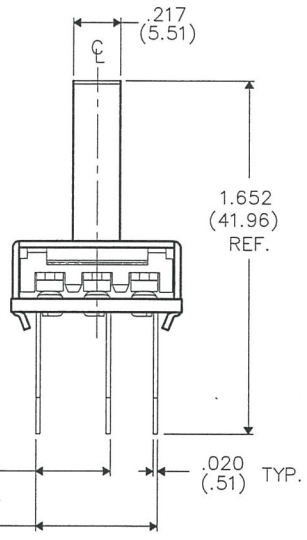
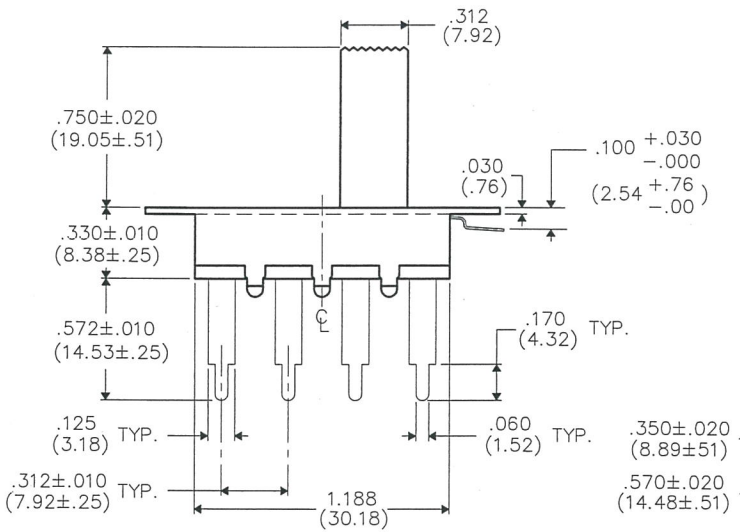
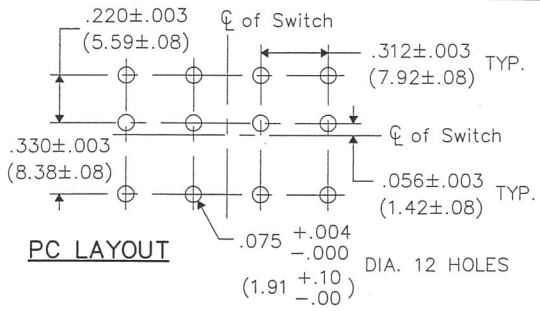
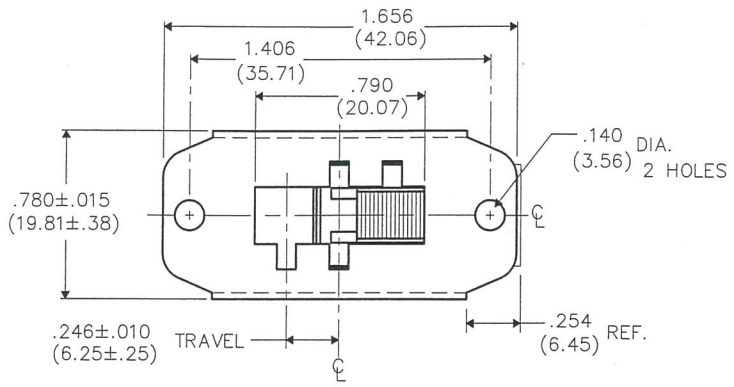


THIS INFORMATION IS CONFIDENTIAL AND PROPRIETARY TO CW INDUSTRIES INCORPORATED AND ITS AFFILIATES. IT MAY NOT BE DISCLOSED TO ANYONE, OTHER THAN CW INDUSTRIES PERSONNEL, WITHOUT WRITTEN AUTHORIZATION FROM CW INDUSTRIES INCORPORATED, SOUTHAMPTON, PENNSYLVANIA USA.

E
D
C
B
A

DIMENSIONS IN INCHES (MILLIMETERS)
DO NOT SCALE DRAWING

Dwg. No.
G-368L-0017



1 2 3 4 5 6 7 8 9 10

B-FORMAT 2002	REVISIONS	RELEASED 1-19-2016 DGW JAN 25 2016																		
---------------	------------------	---------------------------------------	--	--	--	--	--	--	--	--	--	--	--	--	--	--	--	--	--	--

PDF MADE	CW INDUSTRIES Southampton, Pa. 18966		Title: SLIDE SWITCH ASSEMBLY	
	TOLERANCES UNLESS OTHERWISE SPECIFIED		3 POLE - 3 POS.	
	2 Place Decimal ±.010	METRIC	Division: SWITCH	
	3 Place Decimal ±.005	1 Place Dec. ±.25mm	Dwg. No. G-368L-0017	
Angles ±1°		2 Place Dec. ±.13mm		
Made for: CW IND.		Dwg. No. G-368L-0017		
Drawn by: DGW 1-19-2016		Dwg. No. G-368L-0017		
Checked by: <i>G. GULD 1-21-16</i>		Dwg. No. G-368L-0017		
Approval: <i>G. GULD 1-21-16</i>		Dwg. No. G-368L-0017		

MASTER